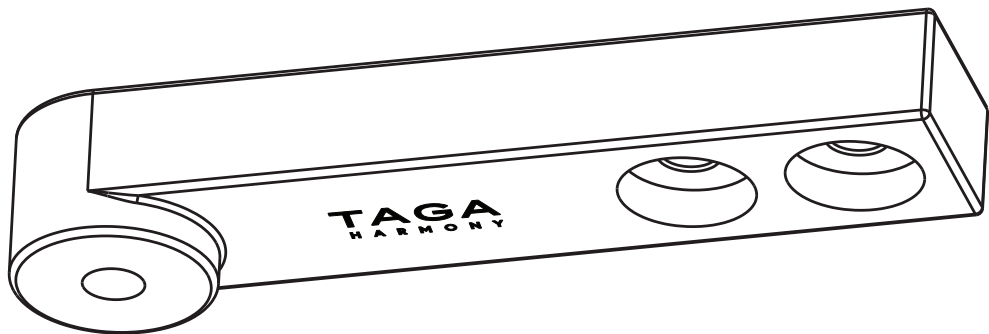




TAGA
H A R M O N Y

TSF-002

FLOORSTANDING SPEAKER FEET AND SPIKES



Instruction Manual

Safety Instructions



An exclamation mark in a triangle is intended to alert the user to the presence of important operating and maintenance (servicing) instructions in the literature accompanying the appliance.

1. Read Instructions - All the safety and operating instructions should be read before the product is operated.
2. Retain Instructions - The safety and operating instructions should be retained for future reference.
3. Heed Warnings - All warnings on the product and in the operating instructions should be adhered to.
4. Follow Instructions - All operating and use instructions should be followed.
5. Cleaning - do not use liquid cleaners or aerosol cleaners.
6. Water and Moisture - Do not use this product near water - for example, near a bath tub, wash bowl, kitchen sink or laundry tub; in a wet basement; or near a swimming pool; and the like.
7. Accessories - Do not place the speaker after installing the feet or spikes on an unstable cart, stand, tripod, bracket or table. The product may fall, causing serious injury to a child or adult and serious damage to the product. Any mounting of the product should follow manufacturer's instructions and should use a mounting accessory recommended by the manufacturer.
8. Heat - The product should be situated away from heat sources such as radiators, heat registers, stoves or other products that produce heat.
9. Operating Environment - Operating environment temperature and humidity of the unit: +5°C to +35°C (+41°F to +95°F); less than 85% RH.



The weight of the speaker which is installed on 4 feet with spikes or only 4 spikes should not exceed 45 kg (99.21 lbs).



For installation use only hardware and accessories provided with this product.



This product is designed for the speakers which are compatible and recommended by the manufacturer.

Compatible speakers are listed on www.TagHarmony.com

Introduction

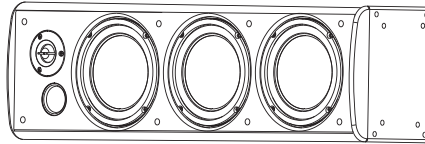
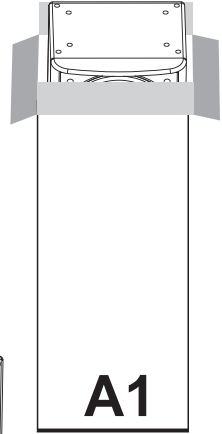
TheTSF-002 feet and spikes may be supplied with your speaker or separately.

For new speakers - before unpacking!

To prevent damage to the speaker choose one of the below installation options:

A1 - install the feet and spikes, while the speaker is still in the carton. Place the carton with the speaker on the floor in the upside down position and open it from the bottom and remove the protective bag from the bottom of the speaker or;

A2 - take out the speaker from the carton without removing it from a protective bag. Place the speaker securely on a stable surface in a horizontal position above the floor level. Remove the protective bag from the bottom of the speaker.



A2

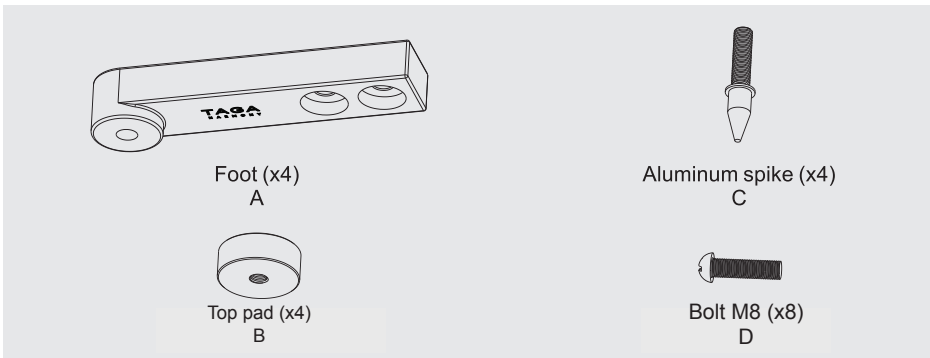
Two installation options for your choice:

- I. To install feet and spikes or;
- II. To install the spikes only

TAGA Harmony recommends the first option.

Note! The actual speaker shape and the placement of feet and spikes may vary from the ones shown in the figures.

Content (set for 1 piece of speaker):



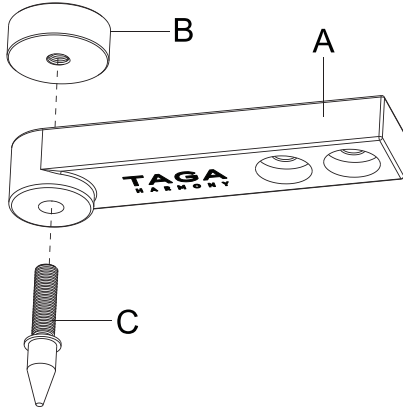
Required tool (not supplied with this product)- cross screwdriver.



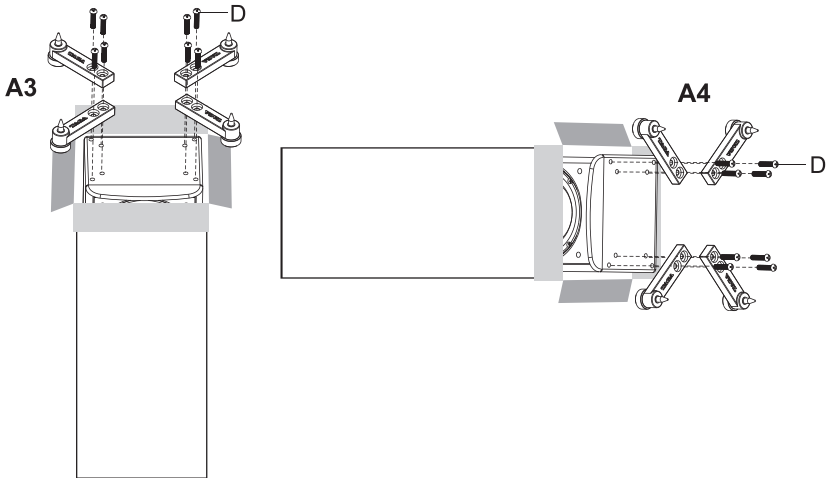
Installation

I. FEET and SPIKES

Attach the spikes and the top pads to all 4 feet as shown in the figure.



Attach the feet while the speaker is still in the carton (A1) or after the speaker is removed from the carton (A2). Using 2 bolts (D) screw in each foot securely into the threaded sockets located at the bottom side of the speaker as shown in the figure (place the speaker in A3 or A4 position).



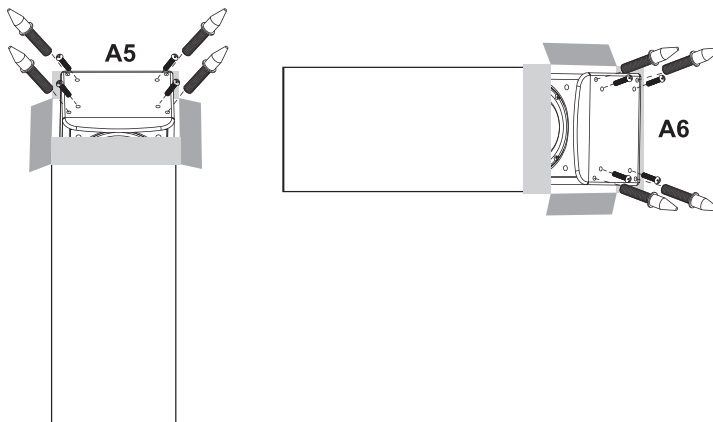
II. SPIKES only

Install the spikes (C) while the speaker is still in the carton (A1) or after the speaker is removed from the carton (A2). Screw in the spikes into the threaded sockets located at the bottom side of the speaker as shown in the figure (place the speaker in A5 or A6 position). The outer sockets are recommended for better speaker stability.



To avoid air leak from the cabinet, screw 4 bolts (D) into the remaining 4 empty threaded sockets on the bottom of the speaker.

Installation



FINAL STEP

Speaker in carton.

Carefully turn the carton with the speaker over to the regular position and place it securely on the floor. Remove the carton and the internal packaging - your speaker is ready for placement in your room.

Speaker removed from carton.

Carefully turn the speaker over to the regular position and place it securely on the floor. Remove the protective bag - your speaker is ready for placement in your room.

Spikes height adjustment

In case of an uneven floor and when the speaker is not stable on it, you can slightly adjust the height of individual spikes turning them clockwise (lower height) or counterclockwise (higher). Make sure not to fully unscrew the top pad.

Kit Content:


Feet and Spikes

1SET



Instruction Manual

1EA

EU declaration of conformity

	<p>Your product is marked with the symbol shown on the left. As its manufacturer, hereby we declare that the product is in compliance with the following EU directives and regulations: 2014/30/EU (EMC)</p> <p>The full text of the EU declaration of conformity is available from the manufacturer.</p>
---	---

Disposal of the product

 	<p>Disposal of old electrical & electronic equipment (applicable in the European Union and other countries with separate collection systems)</p> <p>This symbol on the product or on its literature and packaging indicates that this product shall not be treated as household waste. Instead it shall be handed over to the appropriate collection point for the recycling of electrical and electronic equipment. By ensuring that this product is disposed of correctly, you will help to prevent potential negative consequences for the environment and human health, which could be caused by inappropriate waste handling of this product. The recycling of materials will help to conserve natural resources. For more detailed information about recycling of this product, please contact your local government office, your household waste disposal service or the shop where you purchased the product.</p>
---	--

TAGA EUROPE

POLPAK POLAND Sp. z o.o.

AL.JEROZOLIMSKIE 331A

05-816 REGULY k/WARSZAWY, POLAND

Email: Sales@TagaHarmony.com

www.TagaHarmony.com

Notes

Notes
